

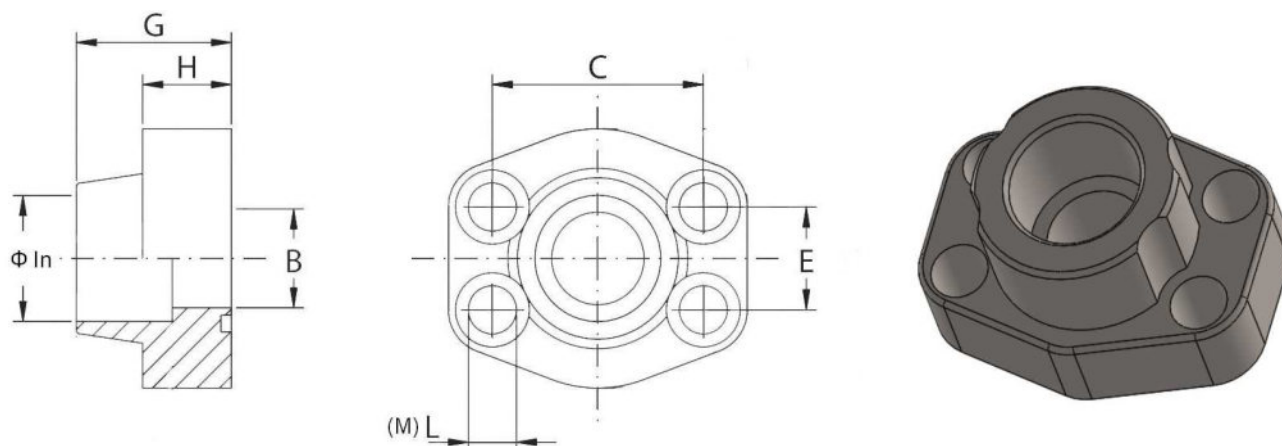
Bridas SAE

Bridas soldables tubo Gas

## Brida soldable hembra tubo gas



Acero Inoxidable AISI 316-L



Artículo	Serie	Ø int	Tamaño	O'Ring	B	C	E	G	H	L	M
ZBBSG308216	3000 PSI	21.6	1/2"	4075	13	38,1	17,48	36	16	9	M8x30
ZBBSG312272	3000 PSI	27.2	3/4"	4100	19	47,63	22,23	36	18	11	M10x35
ZBBSG316340	3000 PSI	34.0	1"	4131	25	52,37	26,19	38	18	11	M10x35
ZBBSG320428	3000 PSI	42.8	1"1/4	4150	32	58,72	30,18	41	21	11,5	M10x40
ZBBSG324486	3000 PSI	48.6	1"1/2	4187	38	69,85	35,71	45	25	13,5	M12x45
ZBBSG332610	3000 PSI	61.0	2"	4225	51	77,77	42,88	45	25	13,5	M12x45
ZBBSG340766	3000 PSI	76.6	2"1/2	4275	63	88,9	50,8	50	25	13,5	M12x45
ZBBSG348905	3000 PSI	90.5	3"	4337	73	106,38	61,93	50	27	17,5	M16x50
ZBBSG3561030	3000 PSI	103.0	3"1/2	4387	89	120,65	69,85	48	27	17,5	M16x50
ZBBSG3641155	3000 PSI	115.5	4"	4437	99	130,18	77,77	48	27	17,5	M16x50
ZBBSG608216	6000 PSI	21.6	1/2"	4075	13	40,49	18,24	36	16	9	M8x30
ZBBSG612272	6000 PSI	27.2	3/4"	4100	19	50,8	23,8	35	21	11	M10x40
ZBBSG616340	6000 PSI	34.0	1"	4131	25	57,15	27,76	42	25	13	M12x45
ZBBSG620428	6000 PSI	42.8	1"1/4	4150	32	66,68	31,75	45	27	15	M14x45
ZBBSG624486	6000 PSI	48.6	1"1/2	4187	38	79,38	36,5	50	30	17	M16x50
ZBBSG632610	6000 PSI	61.0	2"	4225	51	96,82	44,45	65	37	21	M20x70